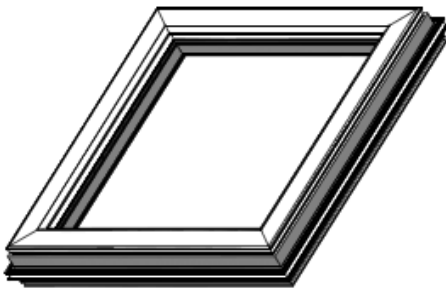




Glos E85R

I. Description

System for natural smoke and heat ventilation in event of fire and daily ventilation for roof mounting based on profile system E85 of ETEM.



The system is intended to be used for execution of roof windows. Advantage of E 85 roof window is the small uplift from the roof plane when compared to the other systems on the market. The system has excellent watertightness performance achieved by the special silicone gasket.

1.1. Integrity in

- All types of roofs and constructions
- Glass constructions

1.2. Function

- Natural daylight
- Natural ventilation
- Smoke and heat ventilation

1.3. Correspondence

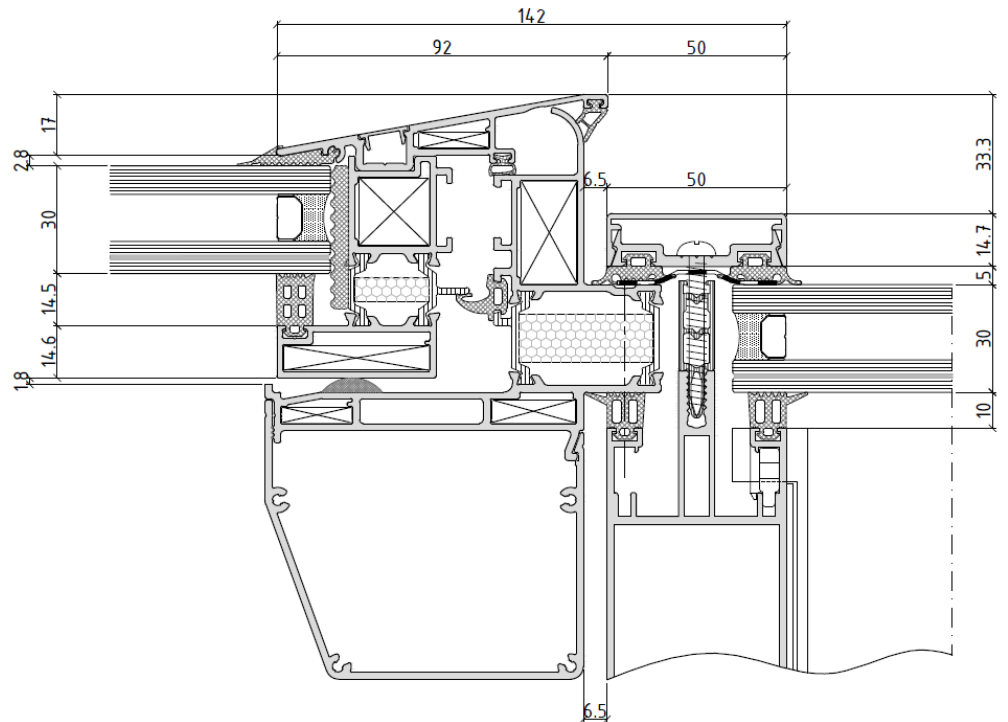
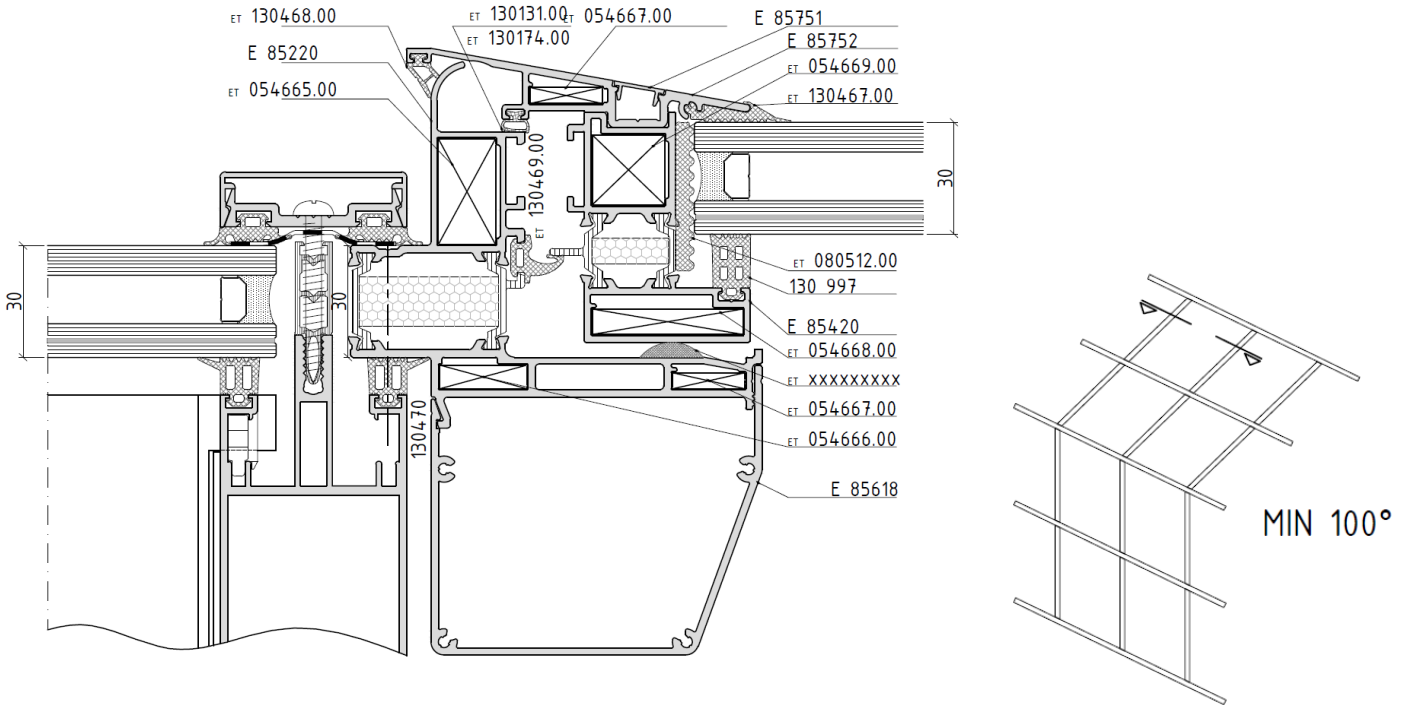
Glos E85R conforms to the following Directives and Standards:

General standarts		
1	EN 12 101-2	1396-C PD-0072
2	ISO 9001: 2008	
Additional test and approvals		
5	EN 1026 : 2000	EN 12 207 : 2000
6	EN 1027 : 2000	EN 12 208 : 2000
7	EN 12 211 : 2000	EN 12 210 : 2000



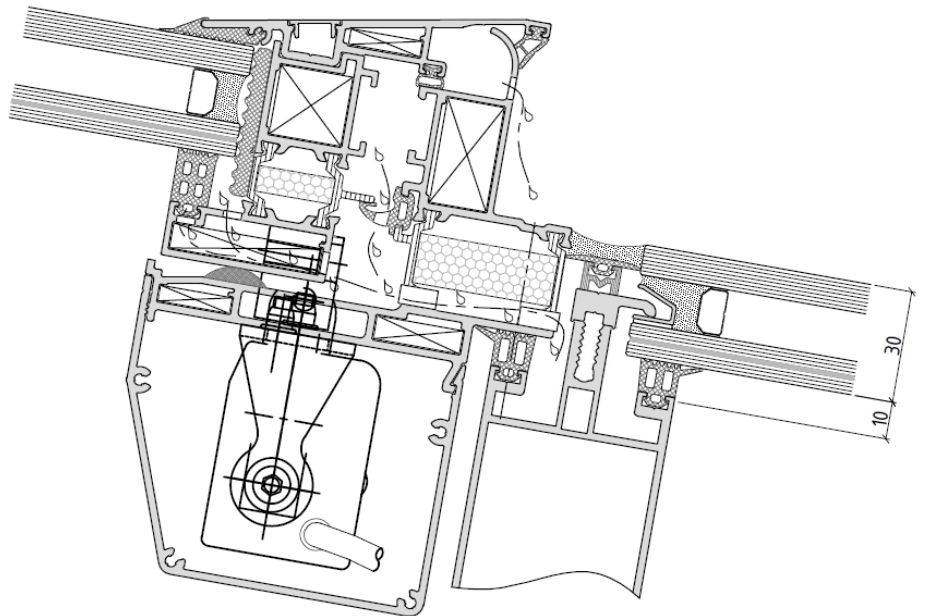
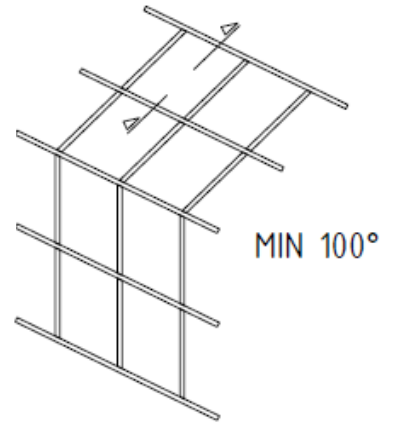
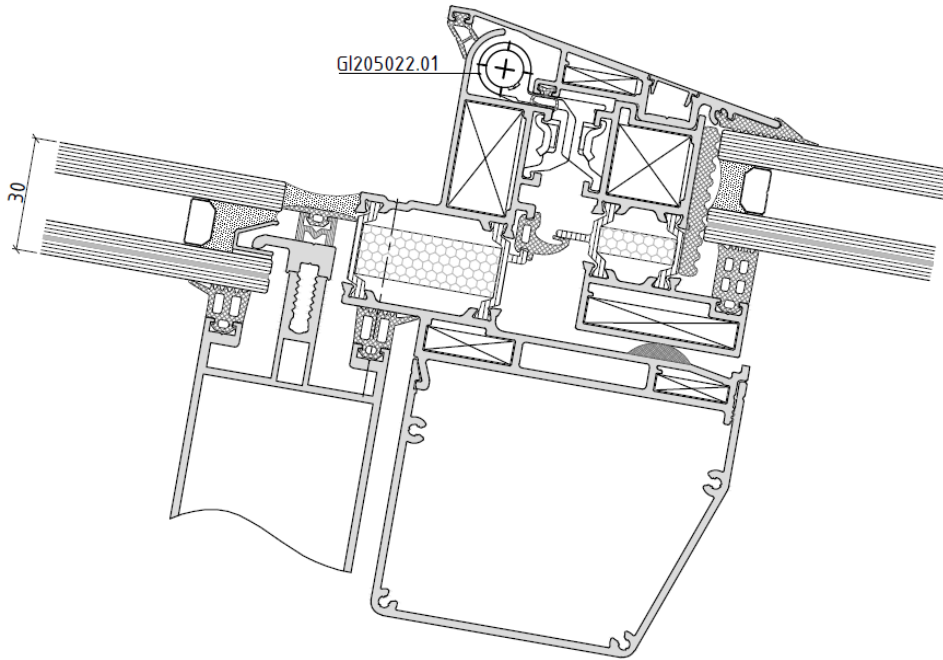
II. Components

Application 1





Application 2



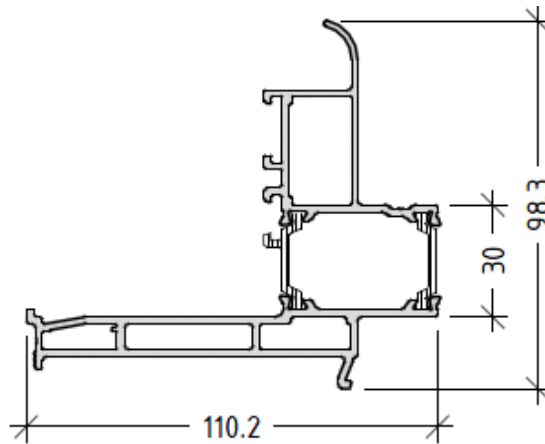


2.1. Casement

Sizes:

- From 500 to 2000mm width
- From 500 to 2500mm length

E 85220
frame

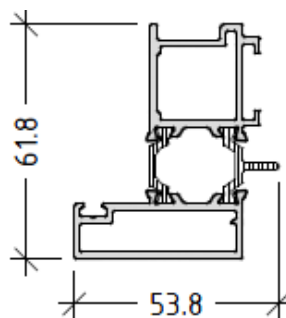


L= 6.01m
2585.2 g/m

$J_x=52.67 \text{ cm}^4$
 $J_y=68.99 \text{ cm}^4$

2.2.Sash

E 85420
sash



L= 6.01m
1567.2 g/m

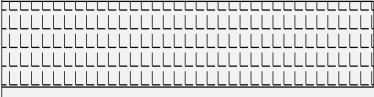
$J_x=19.44 \text{ cm}^4$
 $J_y=8.49 \text{ cm}^4$



2.3. Filling types


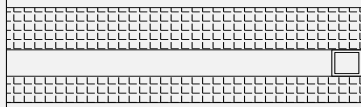
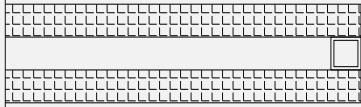
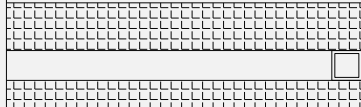
2.3.1. Cellular polycarbonate

Application 3

№	Solution	View
1	PC 40mm	

2.3.2. Package solutions

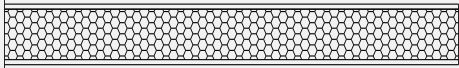
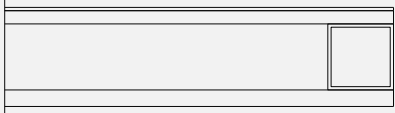
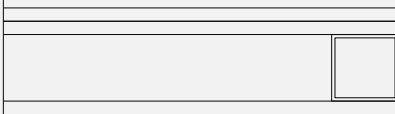
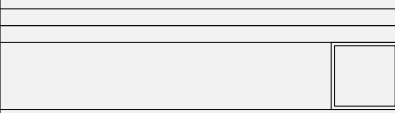
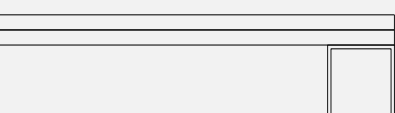
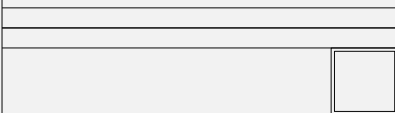
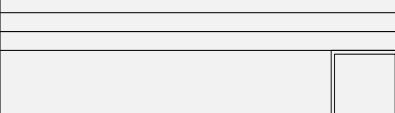
Application 4

№	Solution	View
1	PC 10 + 10 mm	
2	PC 10 + 16 mm	
3	PC 16 + 16 mm	
4	PC 10 + 20 mm	



2.3.3. Other solutions

Application 5

№	Solution	View
1	thermo panel 30 mm	
2	Glasspackage 5+4+1mm / 30mm	
3	Glasspackage 5+4+4mm / 33mm	
4	Glasspackage 5+5+5mm / 35mm	
4	Glasspackage 6+5+5mm / 36mm	
6	Glasspackage 5+6+6mm / 36mm	
7	Glasspackage 6+6+6mm / 36mm	

Note: 1. Available package solution with reinforced inner layer for high placement

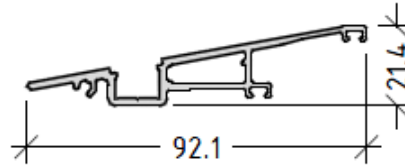
2. Spacers in glass packages may have different sizes 20x10mm, 20x20mm, 30x20mm



2.4. Additional elements

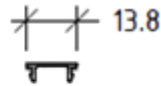
- Caps

E 85752
cap



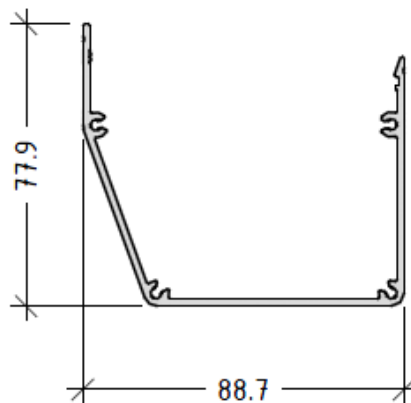
L= 6.01m
801.4 g/m

E 85751
cap



L= 6.01m
54 g/m

E 85618
cap



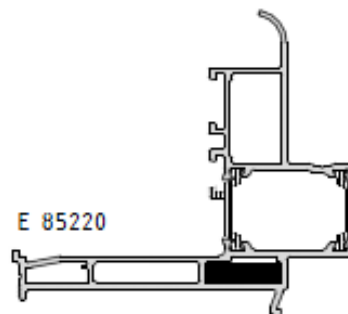
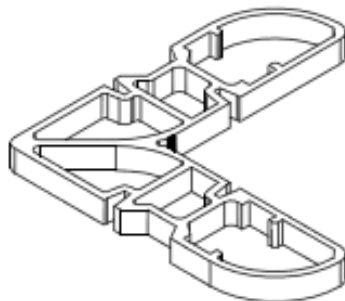
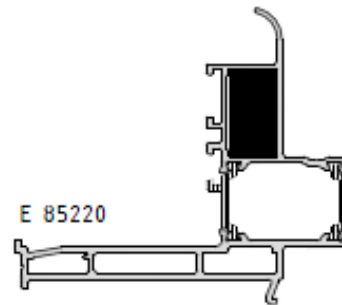
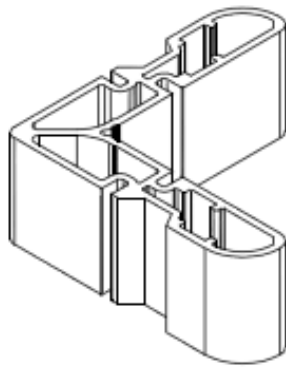
- Standard glass package or thermo panel
- Triple hinges
- GIESSE Handle for outward opening
- Extension for handle

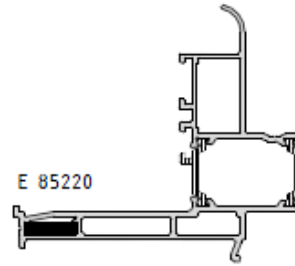
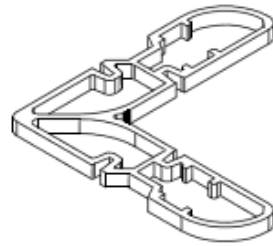


- Moving element
- 5-position steel arm
- Sealing
- Plastic drain cap
- Vulcanised EPDM corner

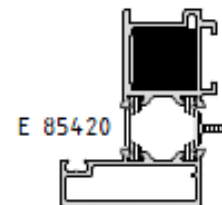
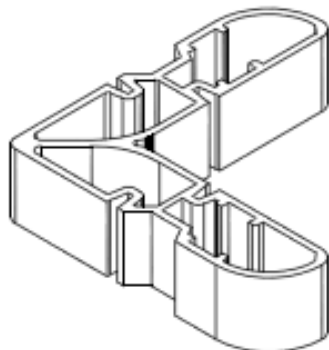
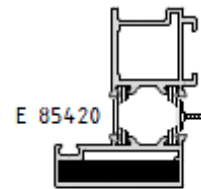
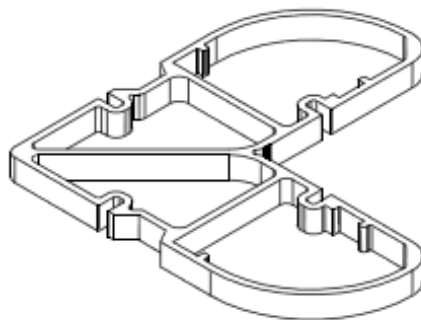
2.5. Joint corner brackets

-for frame

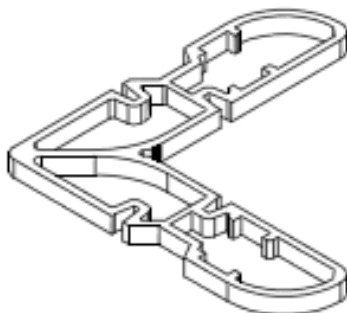




-for sash



-extruded aluminium corner





2.6. Gaskets

- **Additional insulator for sash** ET-080512.00



- **Glazing silicone gasket 3mm** ET-130467.00



- **Outside silicone gasket** ET-130468.00



- **Centre silicone gasket** ET-130469.00



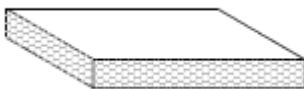
- **Gasket** ET-130131.00; ET-130174.00;



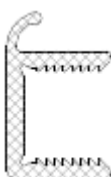
- **Gasket** ET-080542.00



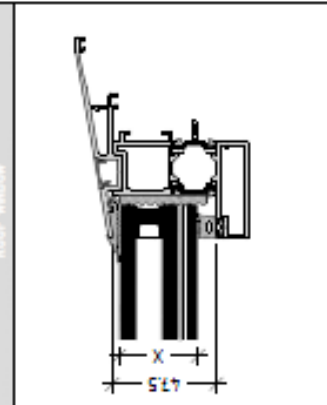
- **Gasket** ET-080518.00



- **Gasket** ET-130442.00



GLAZING OPTIONS										
INTERNAL GASKETS										
X mm										
EPDM gasket for glazing 3 mm	130433	130474	130455	130463	130457	130458	130439	130430	130480	130597
EPDM gasket for glazing 4 mm		130474	130455	130463	130457	130458	130439	130430	130480	130597
EPDM gasket for glazing 5 mm			130455	130463	130457	130458	130439	130430	130480	130597
EPDM gasket for glazing 6 mm				130463	130457	130458	130439	130430	130480	130597
EPDM gasket for glazing 7 mm					130457	130458	130439	130430	130480	130597
EPDM gasket for glazing 8 mm						130458	130439	130430	130480	130597
EPDM gasket for glazing 9 mm							130439	130430	130480	130597
EPDM gasket for glazing 10 mm								130430	130480	130597
EPDM gasket for glazing 12 mm									130480	130597
EPDM gasket for glazing 15 mm										130597
3 mm										





III. Ventilation function

3.1. Daily ventilation

- Chain drive



- Pneumatic cylinder. Opening height - 300/500mm



3.2. RWA function

Reliability	Re 1000
Snow load	SL 450 SL 1000
Low ambient temperature	T (00)
Wind load	WL 780 WL 3000
Resistance to heat classification	B 300 600 B
Reliability for daily ventilation	LE 10 000



3.3. Technical parameters

- **Air permeability**

Class 3	EN ISO12 207 Air permeability
----------------	---

- **Water permeability**

Class 6A	EN ISO12 208 Water permeability
-----------------	---

- **Wind resistance**

Class C5	EN ISO12 210 Wind resistance
-----------------	--

Note: For more information, please contact your consultant.