



LOUVRES



I. Description

- Stylish design and inspiring view
- Intensive ventilation and light structure
- Perfect combination of form and function
- Quick and easy assembly
- Wide range of top-finished options
- Perfectly combine with other elements

1.1. Application

- Industrial and commercial buildings and design
- Architecture, interior and exterior solutions
- Modular options

1.2. Function

- Combination of strength, functionality and aesthetic
- Reduce the weight
- Noise reduction and sound insulation
- Natural lighting during the daylight
- Ventilated element
- Protection shield - rain defence or air flow
- Deflection heat
- Sun Protection Elements – inside/outside
- Control interior climate and save energy



1.3. Correspondence

Products are in accordance with the following Directives and Standards.

General standarts		
1	EN 485 - 1, 2, 3, 4	Aluminium sheet
2	EN 10130/A1; EN10209	Cold rolled products
3	EN 10088-1 : 2005	Stainless steel
4	DIN 24041	Perforated products in sheets
5	ISO 129442	Corrosion protection of steel

II. Types

STANDART UNITS		
Nº	Types	View
1	WL 40/60 OW	
2	WL 40/60 IW	
3	WL 40/60 F	
4	WL AS	
5	WL AD	



CONTINUOUS UNITS		
№	Types	View
6	CL 40/60 OW	
7	CL 40/60 IW	
8	CL 40/60 F	
9	CL SP	
10	CL SWP	
ACOUSTIC UNITS		
11	WL SP	
12	WL SWP	

Note: 1. Standard and acoustic elements are produced for direct mounting.

2. Continuous elements are subject to special design and installation as architectural or ventilation element.

III. Types and components

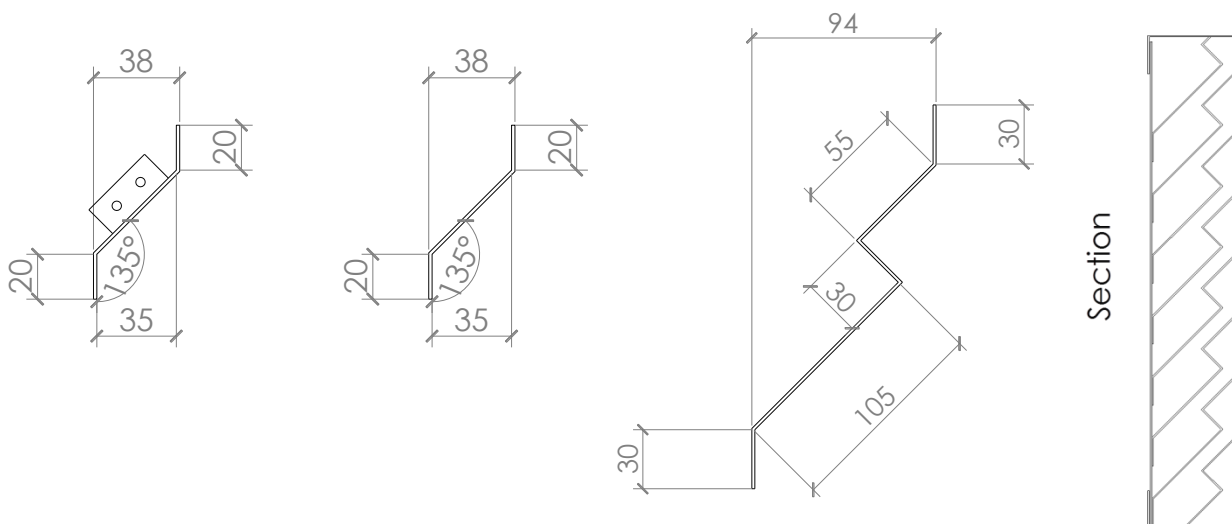




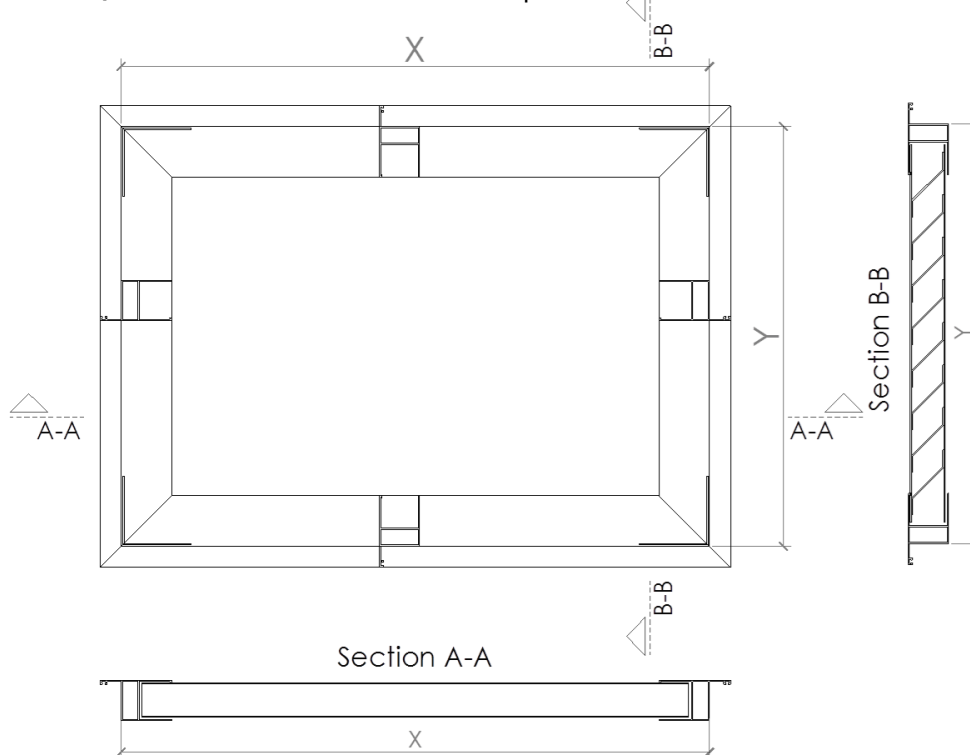
3.1. Standart units

- Different shapes of lamellas
- With 40% or 60 % aerodynamic surface
- Made by Aluminium, Mild Steel or Stainless Steel
- Lamellas in rectangular frame with size from 40x40cm to 300x300cm

Lamella form

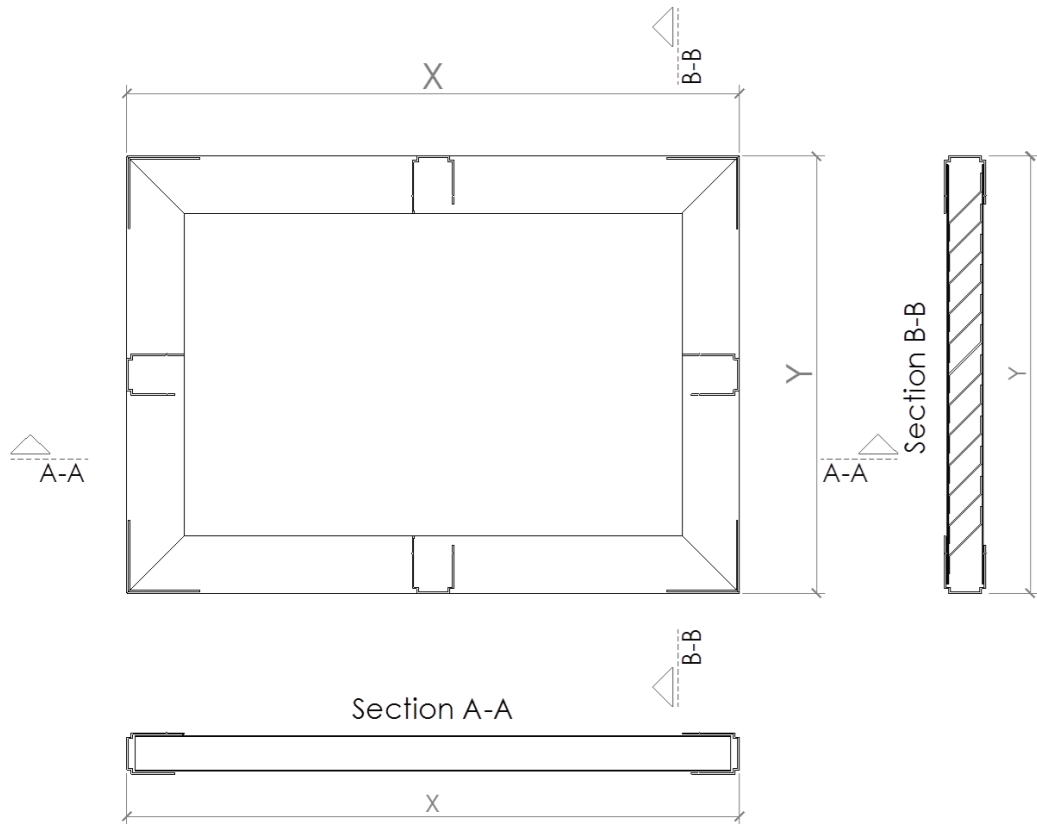


3.1.1. WL 40/60 OW - with aluminium profiles frame

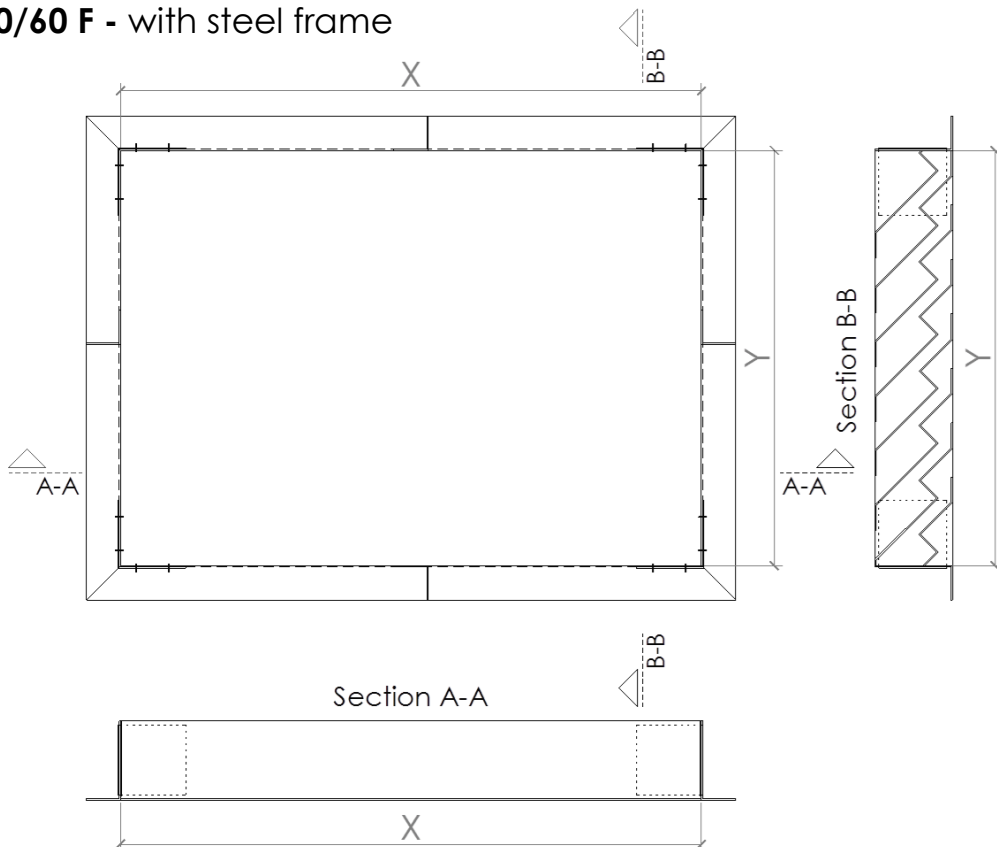




3.1.2. WL 40/60 IW - with aluminium profiles frame

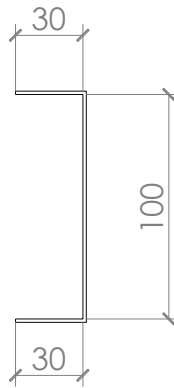


3.1.3. WL 40/60 F - with steel frame





3.1.4.WL SP - sand protecting units



Section



3.1.5.WL SWP - sand and water protecting units



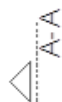
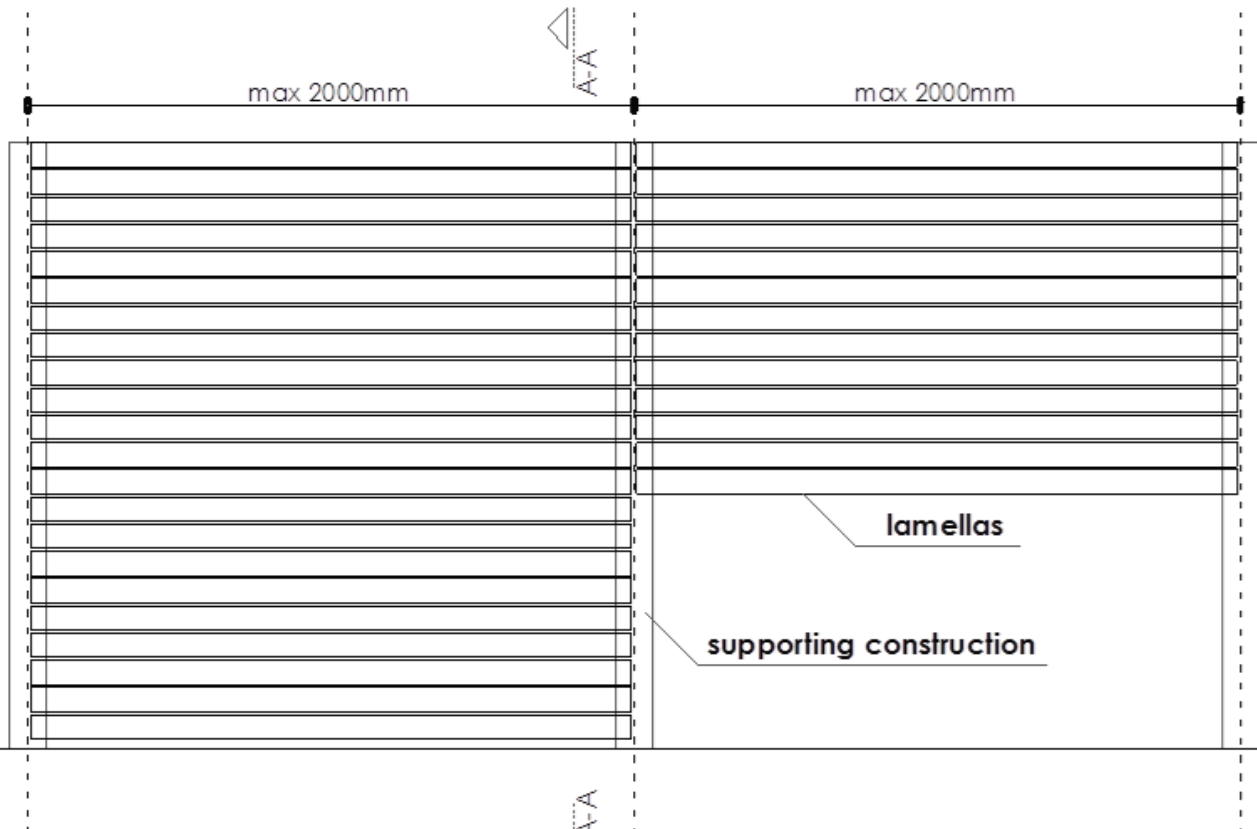
Section



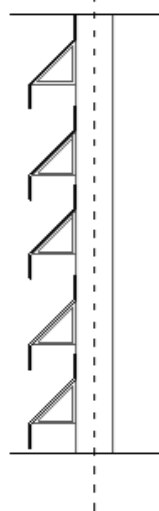


3.2. Continuous units - lamellas without frame-directly applied on the facade

CONTINUOUS LAMELLAS



Section A-A

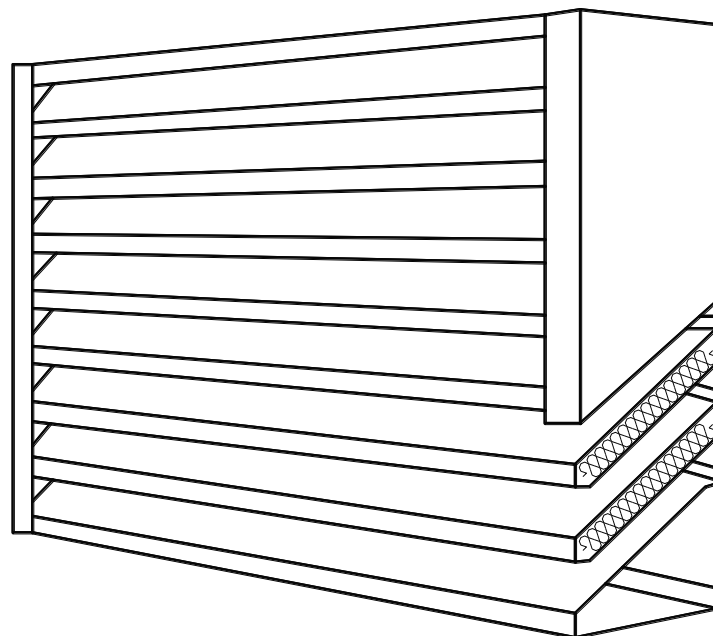




3.3. Acoustic units - the louvre blades are fitted with sound-attenuating mineral wool inside

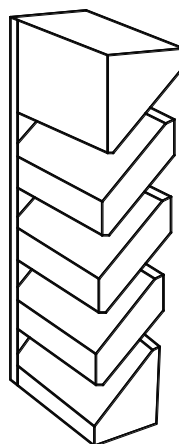


- **Single acoustic**





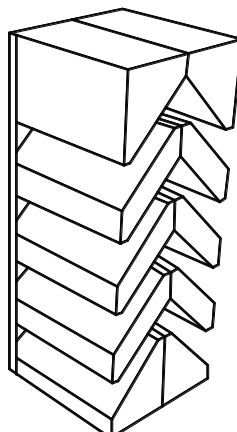
Vertical sections:



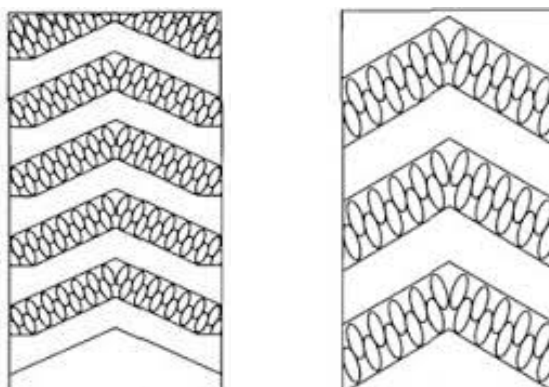
External face

- **Double acoustic**

Vertical sections:

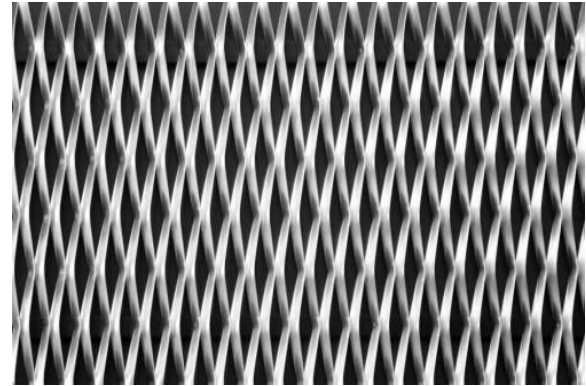


- **Mineral wool with different thickness**

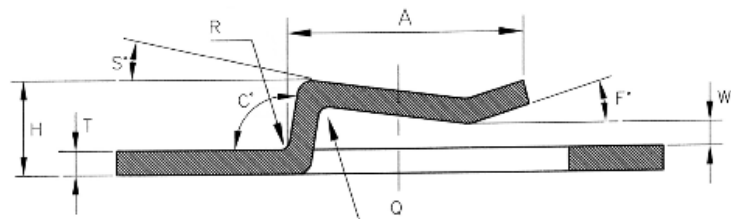
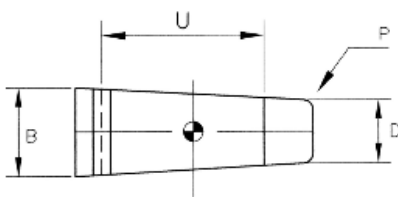
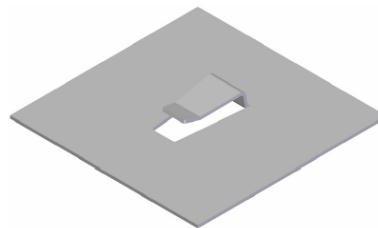
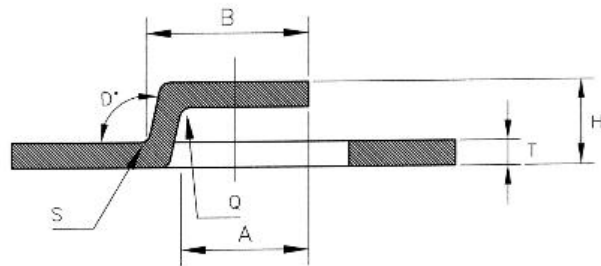
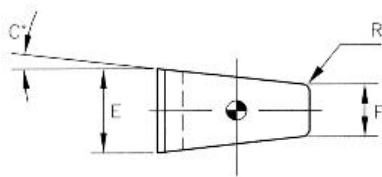
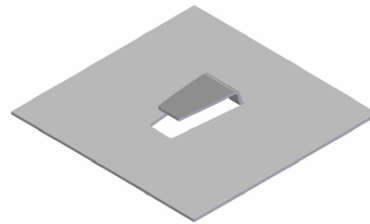


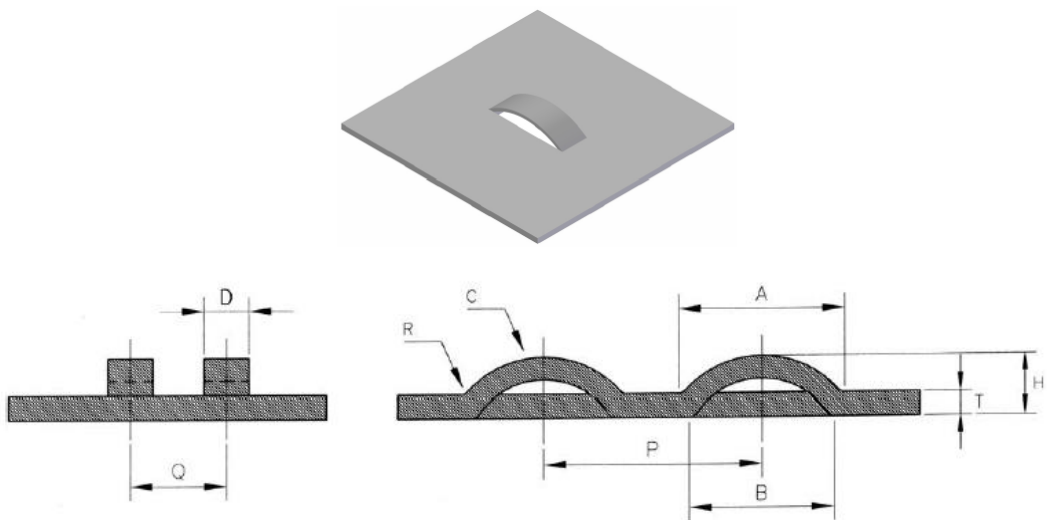
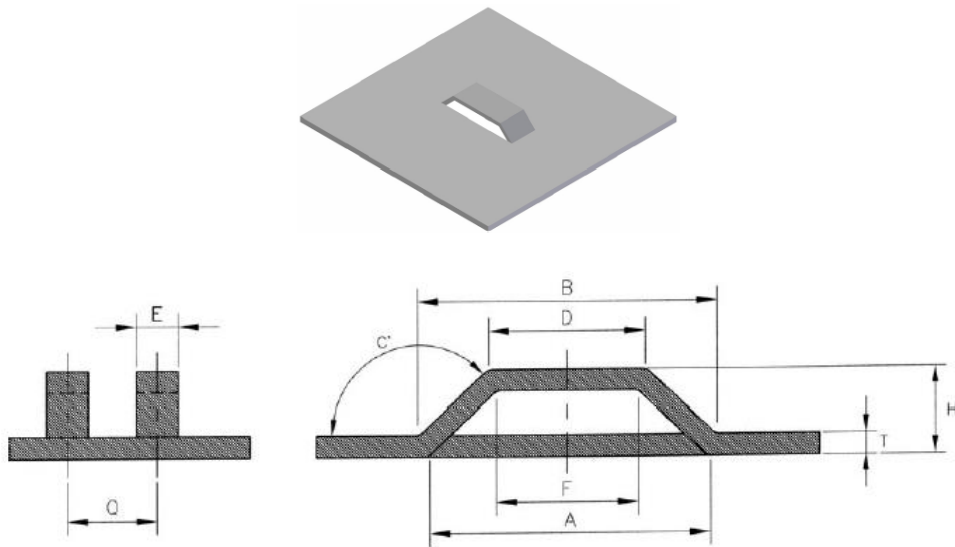
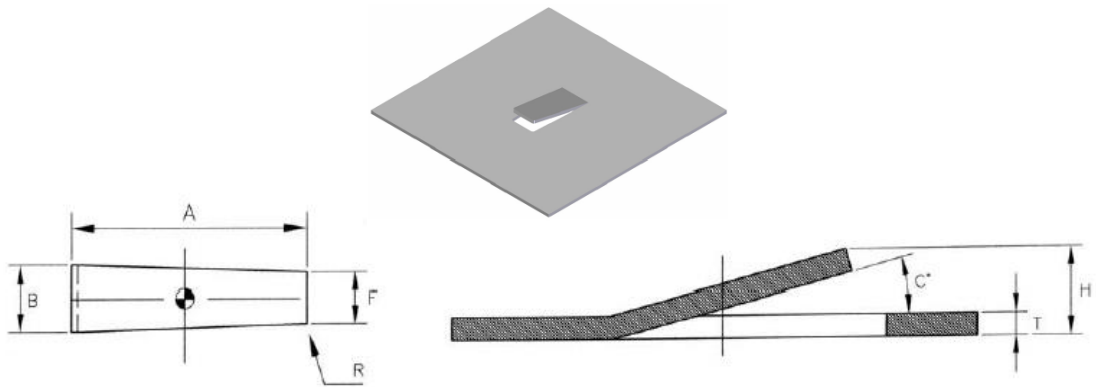


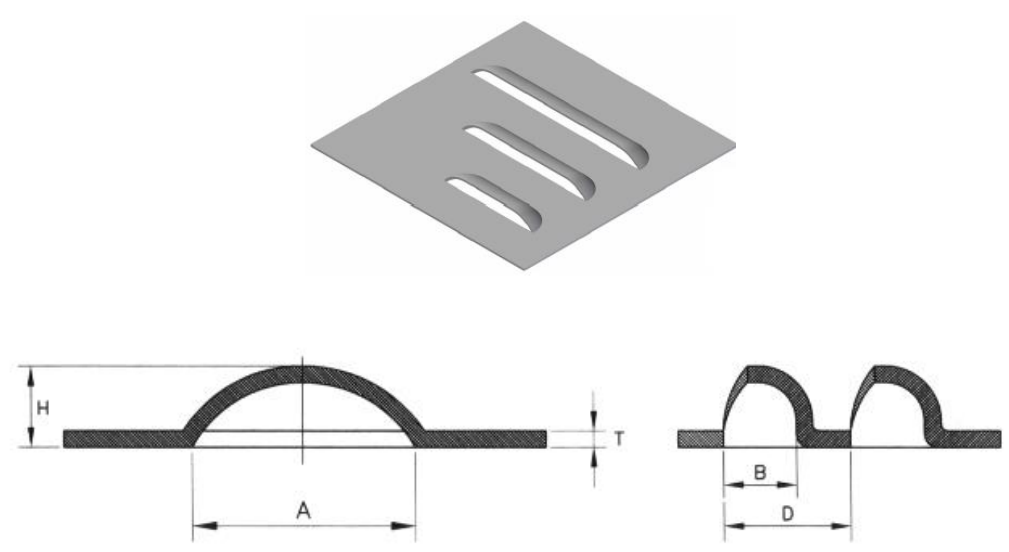
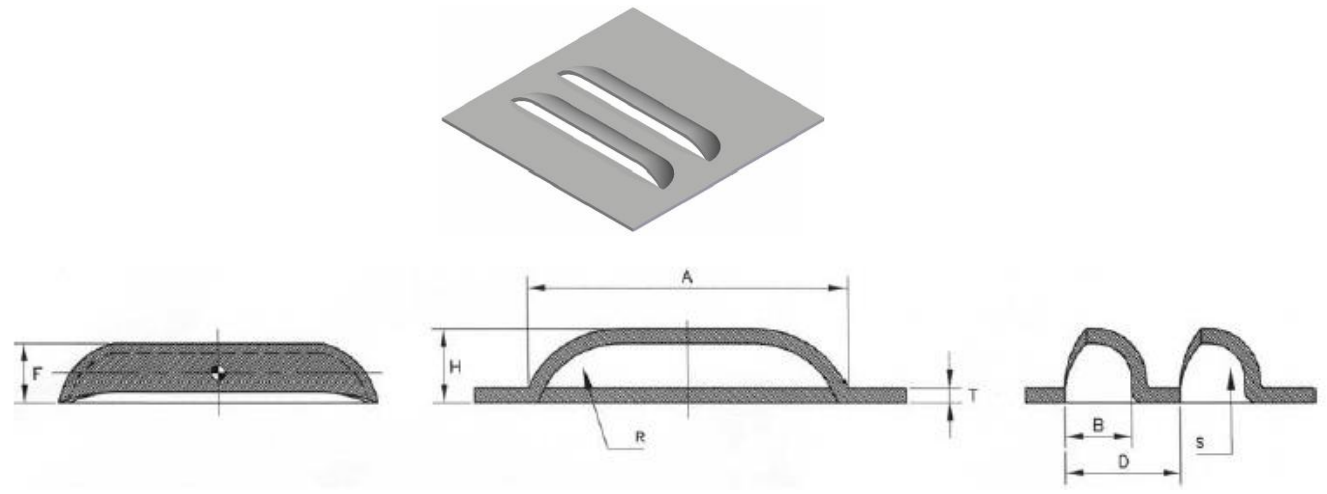
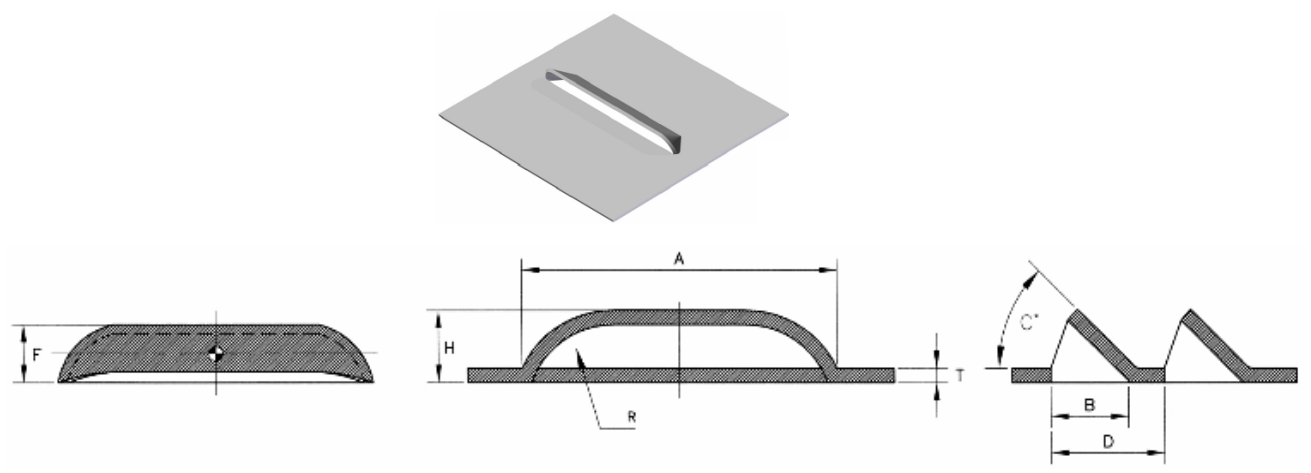
IV. Partial perforation



4.1 Perforating shapes



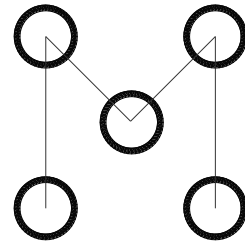
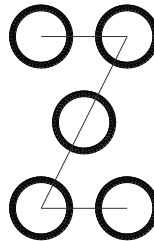
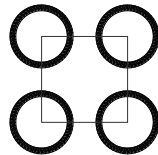
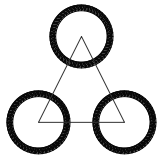






4.2 Pitch

Different pitch are possible



V. Additional options

5.1. Materials

- Aluminium and its alloys
- Stainless steel
- Cold rolled products

5.2. Protective options

- Top finish for exterior architectural use
- Top finish for interior architectural use
- Top finish for industrial use
- Top finish for industrial use

Note: For more information, please contact your consultant.