



NYMBUS SC

I. Description

- System for the restriction of smoke spread in case of fire
- Diversion of smoke in a directed manner towards smoke extraction systems in the smoke zone
- An element of common system for smoke and heat ventilation
- System for smoke prevention
- Separation of smoke area from other areas

1.1. Integrity in

- All types of constructions

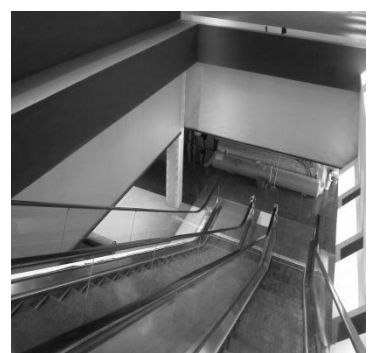
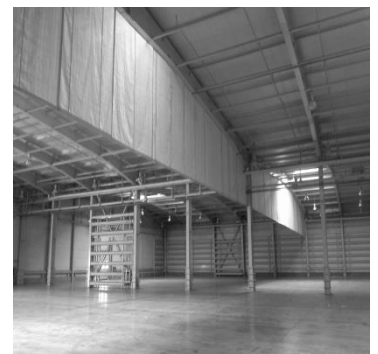
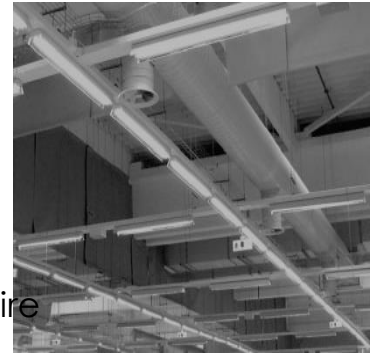
1.2. Function

- Limit smoke areas of smoke and heat ventilation system.

1.3. Correspondence

NYMBUS SC is in accordance with the following Directives and Standards.

General standarts	
1	EN 12101 - 1
2	EN 41020 - 2
3	ISO 9001: 2008





II. Nymbus SC Fix

The system is based on fixed smoke curtains dropped under the roof construction of definite height depending on the smoke ventilation system design.

2.1. Description

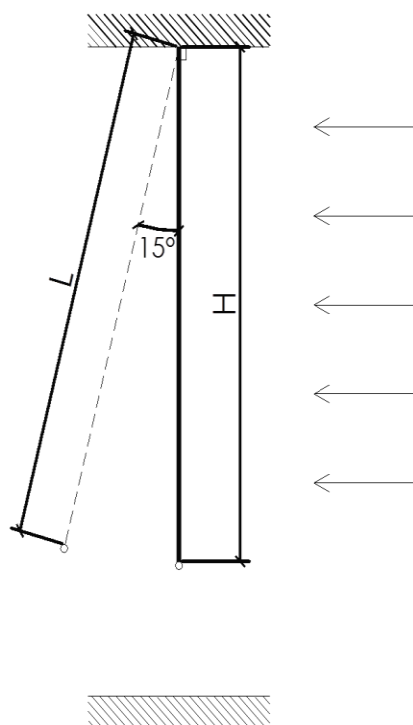
- System for under roof installation based on galvanized steel elements
- System from overlapping elements
- Deflection of max. 15° at 25 Pa pressure

2.2. Sizes

- Height - max 8 m
- Length - up to 100 m

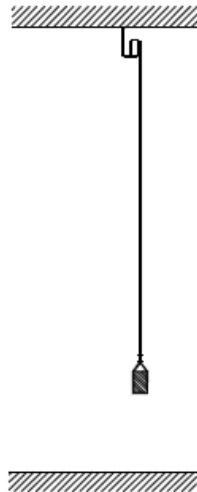
2.3. Types static smoke curtains

2.3.1. Directly on the construction





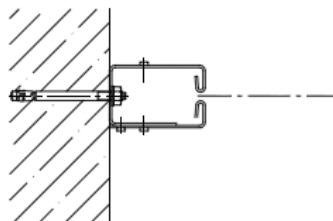
2.3.2. With guide rails



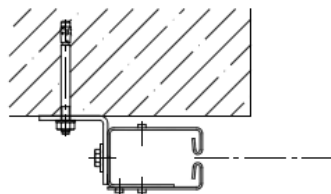
2.4. Fixing variants

2.4.1. Galvanized strip for attachment to construction

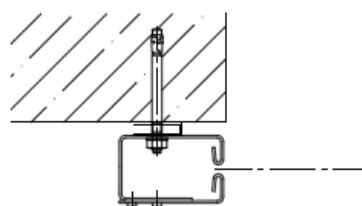
2.4.2. In the soffit



2.4.3. In front of the wall



2.4.4. Under the wall





III. Nymbus SC Dyn

3.1. Description

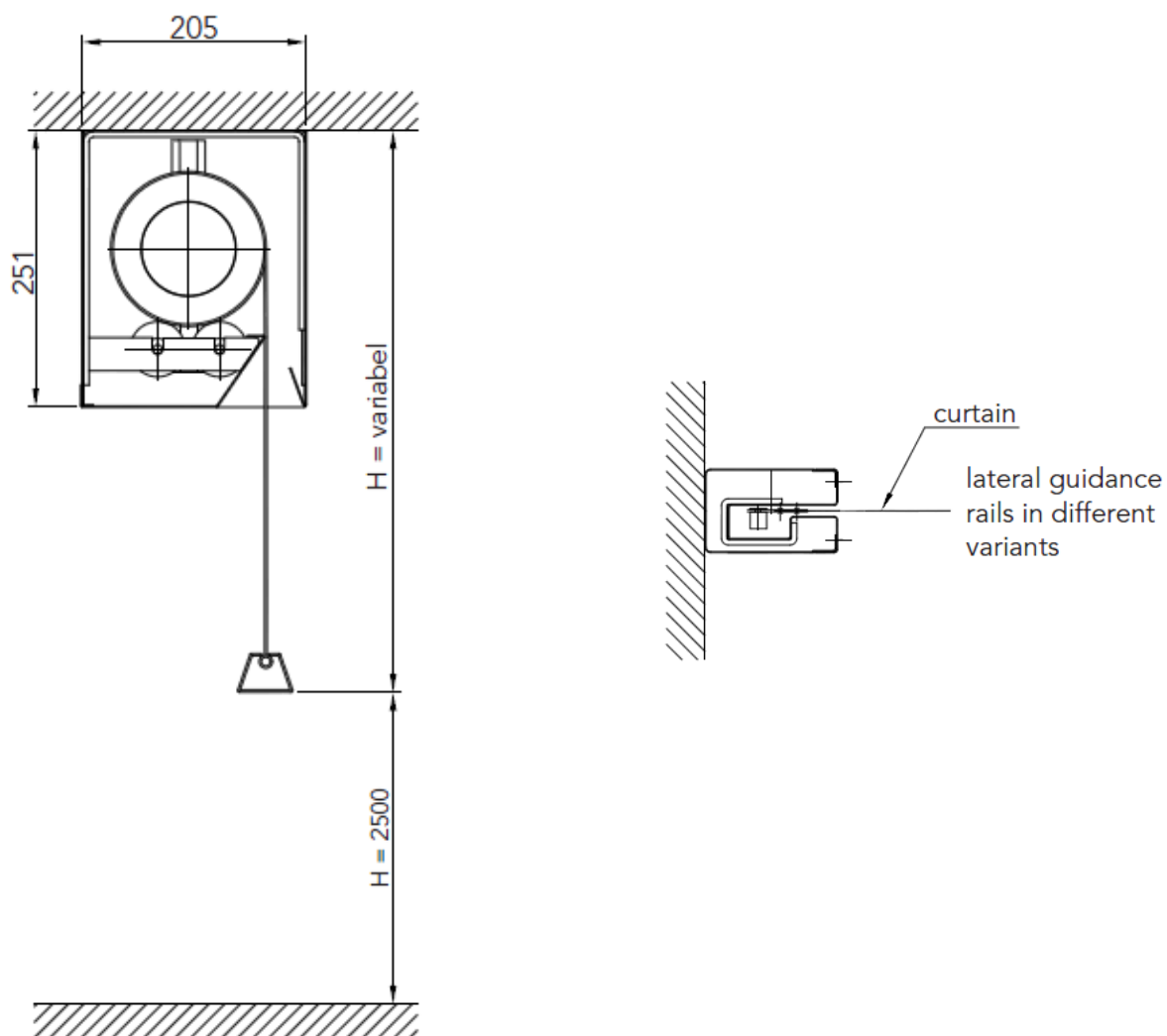
The system is based on a dynamic smoke curtain falling into a working position in case of accidental event. In standby position, the smoke curtain is closed into main body corp.

3.2. Sizes

Will be specified on demand.

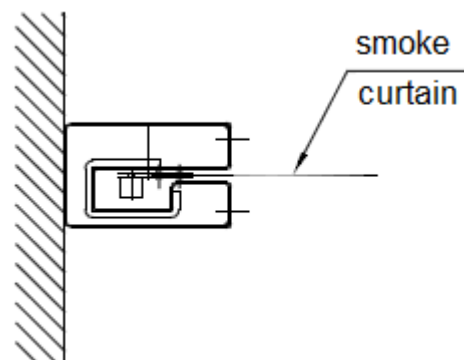
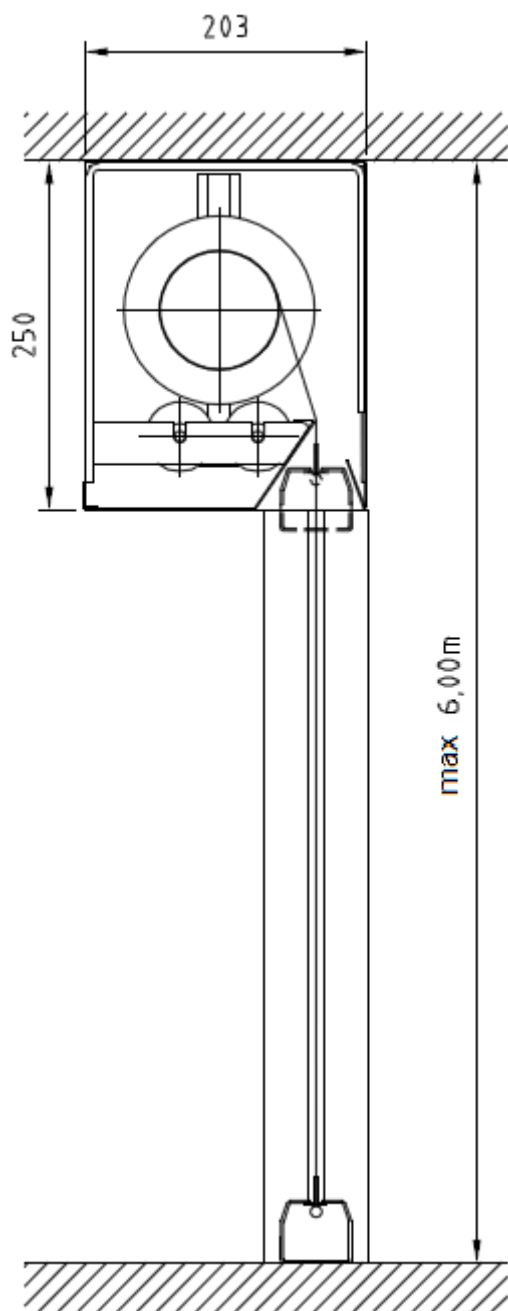
3.3. Types static smoke curtains

3.3.1. Standard housing





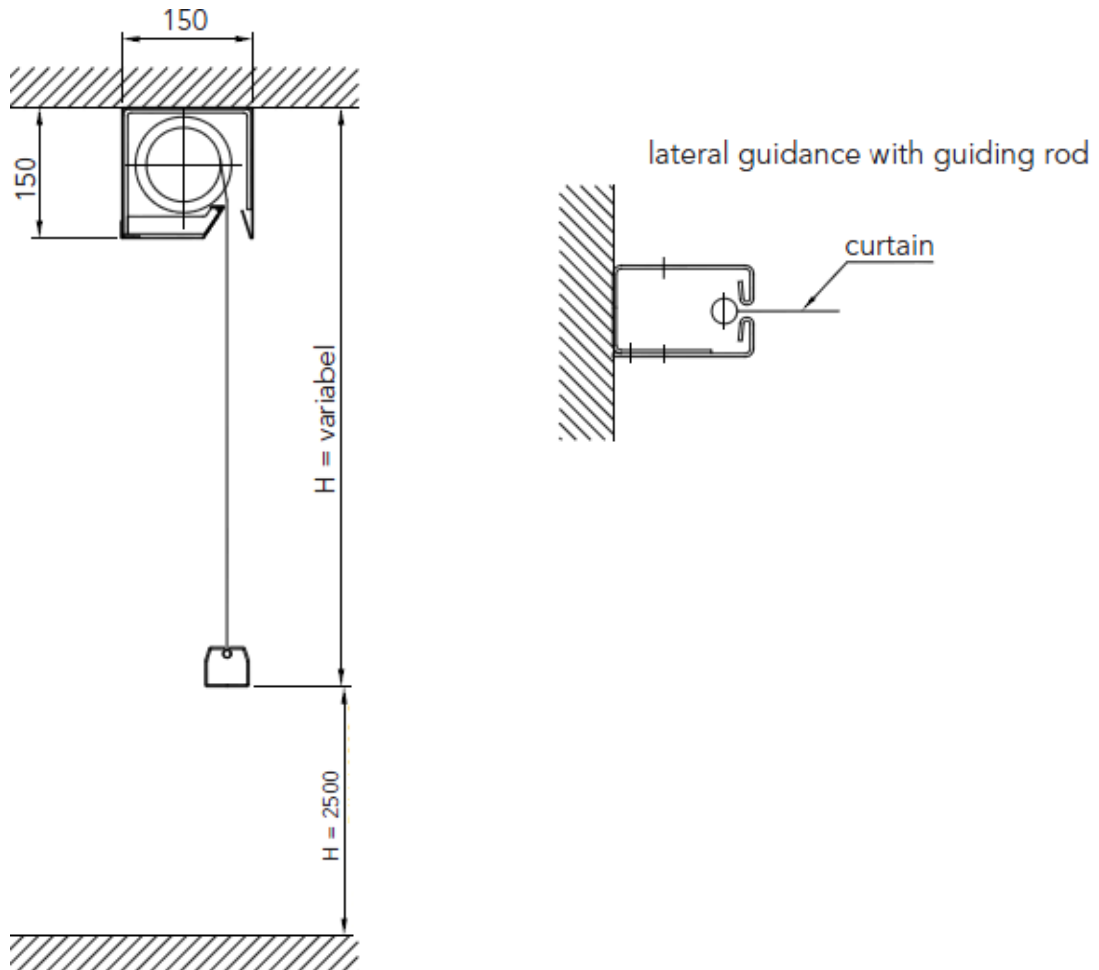
3.3.2. Space-enclosing with roller guide



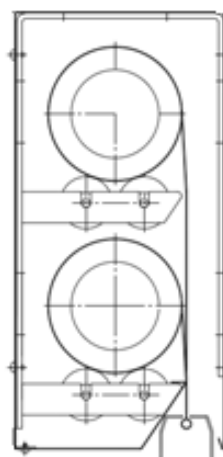


3.3.3. Housing variants

- Smallest housing approx. 150 x 150 mm until unit dimension 4 x 4m

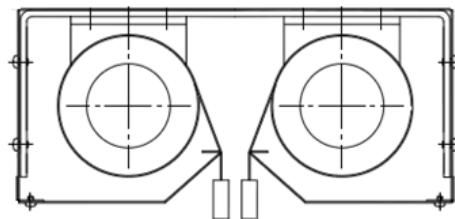


- spreads unit width - 2x40m, height - 8m

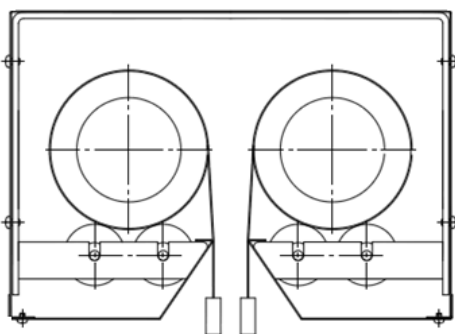




- overlapped up to unit width 4m, height 4m

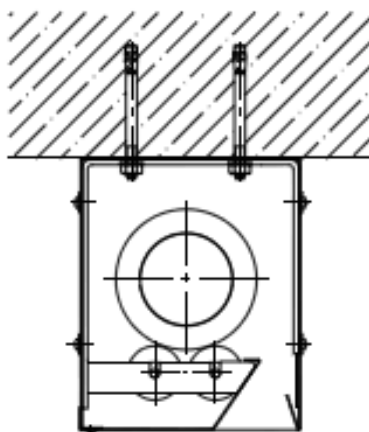


- overlapped up to unit width 15m, height 8m



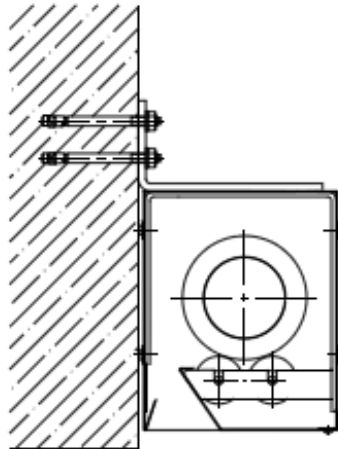
3.4. Fixing variants of the housing

3.4.1. Under the ceiling

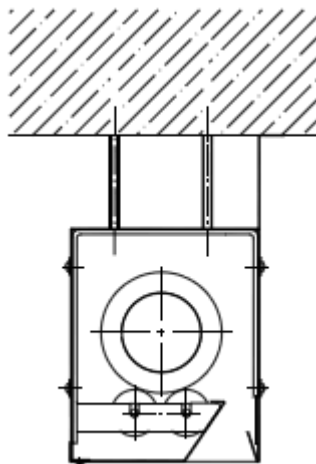




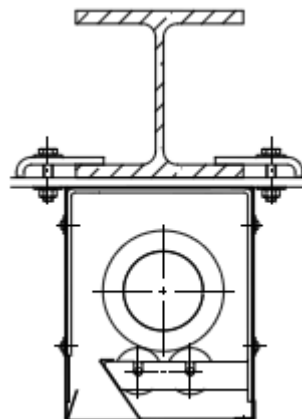
3.4.2. In front of the wall



3.4.3. In the soffit



3.4.4. Under the wall





IV. Technical parameters for Nymbus SC

EN 12 101 - 1	Design and installation
600°C/60 min 600°C/120 min	Certified with EN 12 101-1
D60, D120	Certified
EN 4102-2, A2	Material - glass- fiber textile, PU coated, inflammable

Note: For more information, please contact your consultant.