



NYMBUS FLAM™



NYMBUS RLAM™



I. Description

- System for natural day light
- System for smoke and heat ventilation
- NYMBUS FLAM™ in case of fire for facade mounting
- NYMBUS RLAM™ in case of fire for roof mounting

1.1. Integrity in

- All types of constructions
- All types of roof and facade packages

1.2. Function

- Natural day light
- Natural ventilation
- Smoke and heat ventilation

1.3. Correspondence

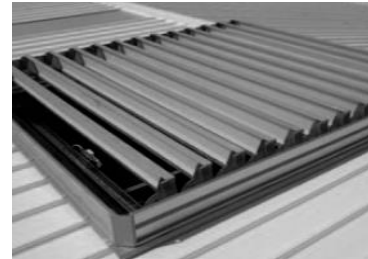
NYMBUS FLAM™ and NYMBUS RLAM™ are in accordance with the following Directives and Standards.

General standarts		
1	EN 12101 - 2	
Additional test and approvals for NYMBUS RLAM™		
2	Soft body impact test	J 1200 - impact of large and small body



II. Components

NYMBUS FLAM™ and NYMBUS RLAM™ are applied on industrial buildings and offices to shopping centres and atria.

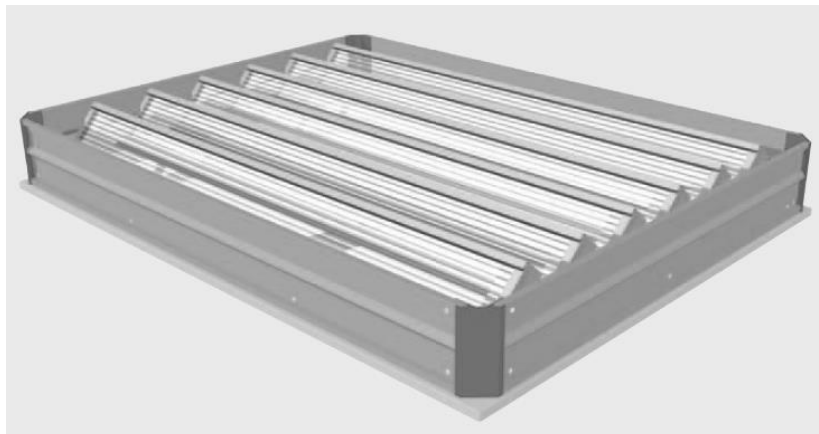


2.1. Multilateral louvered ventilator

The louvered ventilator that extracts large volumes of warm air and smoke within a short period of time. The system is both suitable for air feed (facade) and air extraction (facade and roof).

Lamella components:

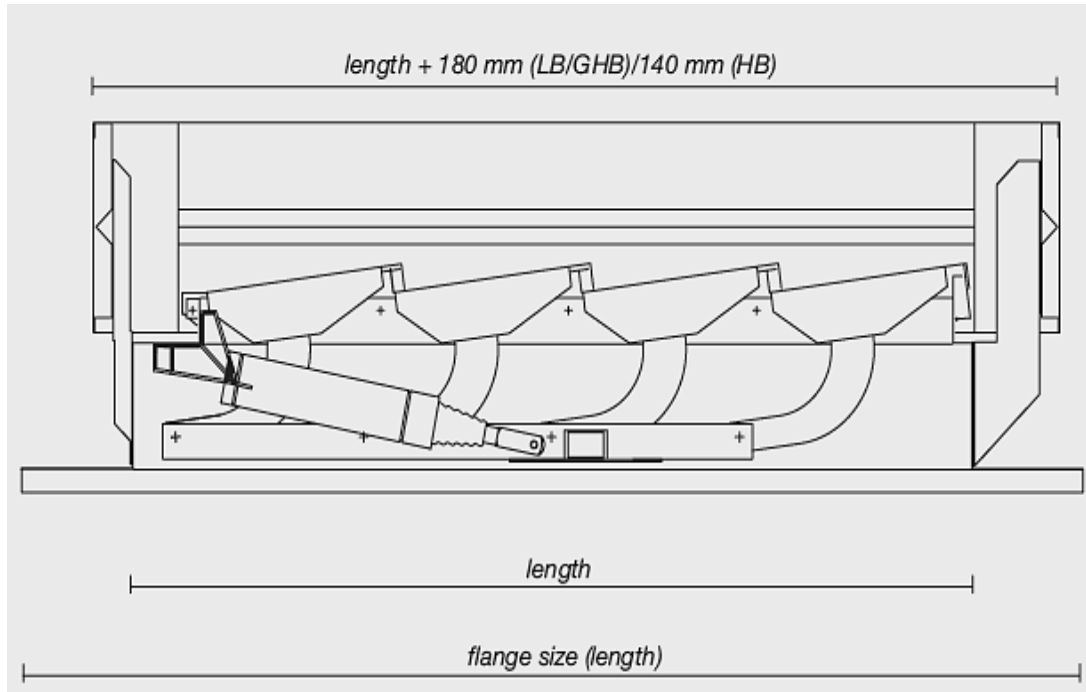
- Single skin aluminum lamella
- Double skin thermo insulated aluminum lamella
- Lamella from cellular polycarbonate
- Double skin glass lamella



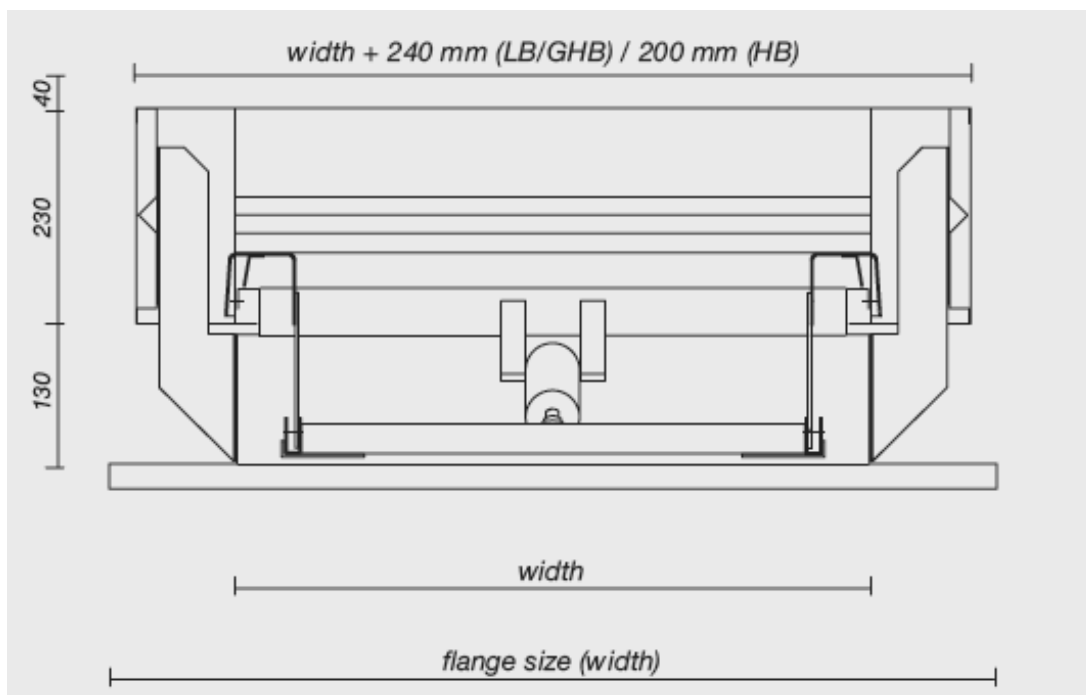


2.2. Sections

2.2.1. Cross section



2.2.2. Longitudinal section





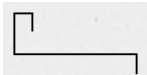
2.3. Materials

Aluminium is tempered, sea water- and corrosion-resistant AlMg3. Corrosion-resistant bearings. Seal incorporating a weather-resistant sealing strip longitudinally and energy strips. The seal is applied in such a manner that there is no risk of freezing and a high level of draft-proofness is guaranteed.

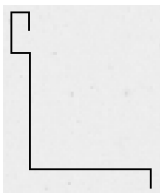
Note:The Ral is optional.

2.4. Base

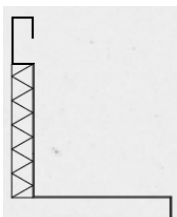
2.4.1. Low base



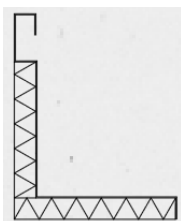
2.4.2. High base



2.4.3. Insulated high base

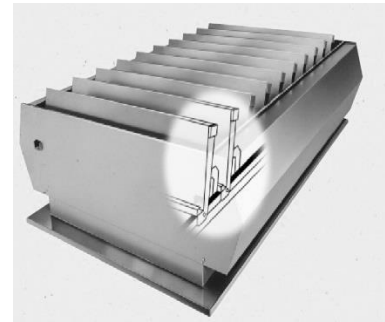
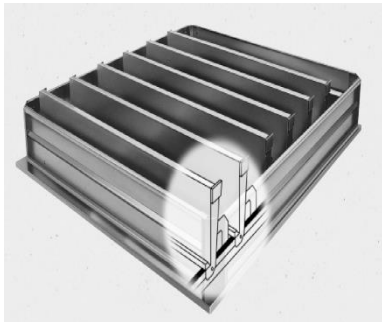


2.3.4. With flange insulation

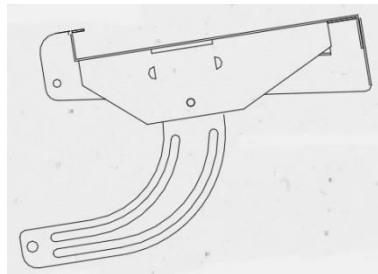




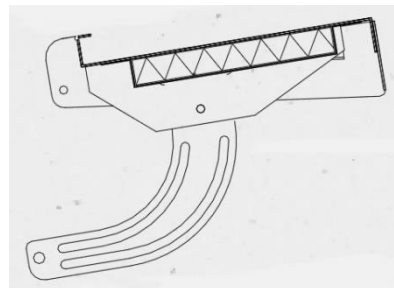
2.5. Louvre technology



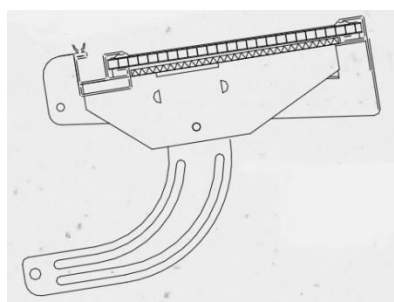
2.5.1. Alu = single-walled aluminium



2.5.2. Alu-iso = double-walled insulated aluminium

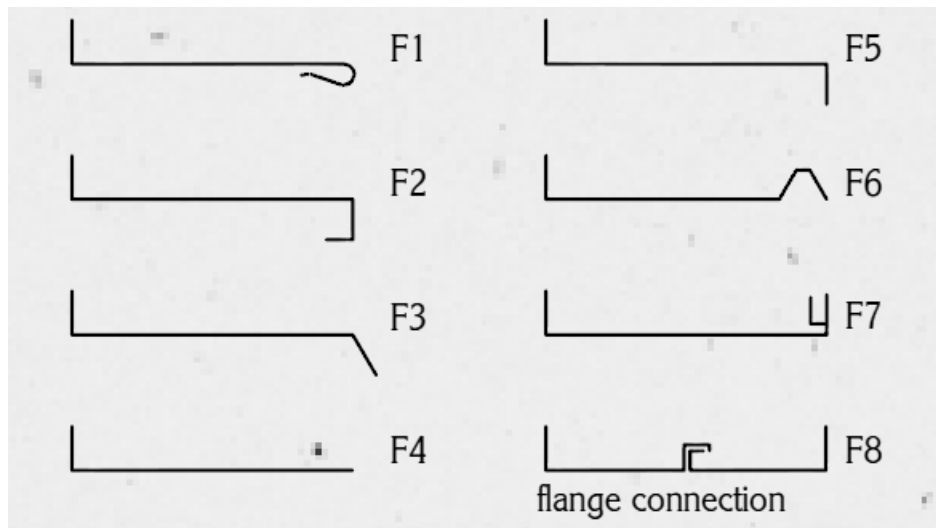


2.5.3. Isolux = transparent or opal, doublewalled polycarbonate 8 or triple-walled 16 mm (can also be fitted in laminated or reinforced glass)





2.6. Flanges



2.7. Function upgrade elements

- Safety grid
- Burglar grid
- Insect and bird screen
- Sun protection elements

III. Ventilation function and technical parameters

3.1. Daily ventilation

- Electric motor 24V
- Motor 230V, AC. Opening height - 300/500mm





- Pneumatic cylinder. Opening height - 300/500mm



3.2. RWA function

3.2.1. NYMBUS FLAM™

Wind load	WL 1000
Snow load	SL 0
Low ambient temperature	T (00)
Resistance to heat classification	B 300
Reliability	Re 1000
Reliability for daily ventilation	Le 10 000

3.2.2. NYMBUS RLAM™

Wind load	WL 1500
Snow load	SL 125-750 (2000)
Low ambient temperature	T (00)
Resistance to heat classification	B 300
Reliability	Re 1000

Note: For more information, please contact your consultant.